

EEEI 335 Computer-Aided Design.

Date: January 2025

Q1) Using AutoCAD drafting tools, draw the objects in Figures 1 and 2. Indicate clearly the dimensions. Set drawings in different layouts on a suitable drawing paper setting. Include a title block which should capture your name, registration number, drawing name, and other typical title block sections. Print the layouts to PDF. Rename the PDF as "CAT 1-Your Name & Registration Number"

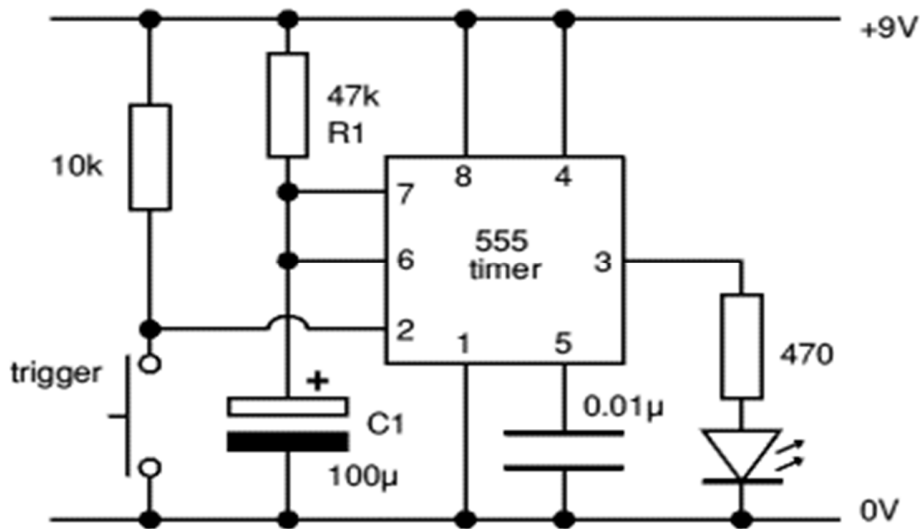


Figure 1

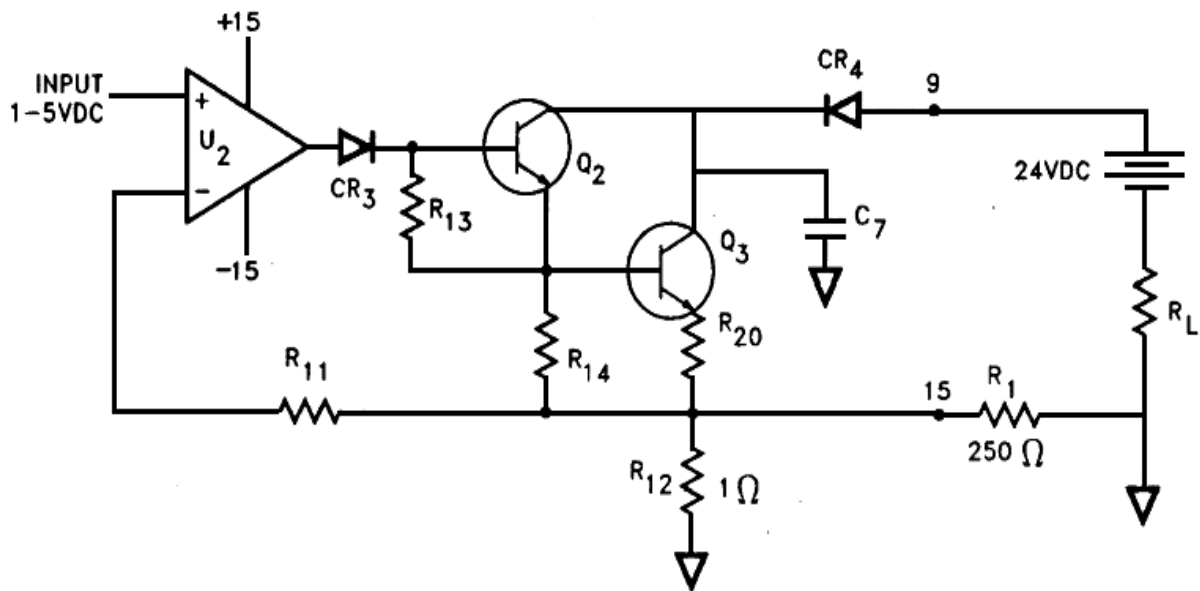


Figure 2